



BODYSHOP SAVER

Issue 1

 Offers valid from 1st February – 30th April 2024

PACKED FULL OF NEW PRODUCTS FOR 2024

HY-JACK & STAND BUNDLE 92699

NEW

£599.⁹⁵

This kit comprises of a set of four hydraulic vehicle positioning jacks, together with a mobile stand to store the Hy-Jacks when not in use.

- Suitable for maximum tyre width 305mm, 12" width wheel.
- Adjustable range: 345 - 630mm.

ALSO AVAILABLE SEPARATELY

NEW

Stand for Hy-Jack Positioning Jacks

92673

Designed to hold a set of four Hy-Jacks, allowing them to be safely stored and moved around the workshop to the vehicle on mass.



- Dimensions: 800 x 470 x 230mm.

£69.⁹⁵

Hy-Jacks - 1 Pair

92438

They easily fit around tyres lifting the car in seconds, allowing vehicles to be easily moved into required position. Their compact size makes them a great mobility solution for use in tight areas or for immobilised vehicles.

- Adjustable range: 345 - 630mm.  

£289.⁹⁵

TRAINING & SERVICING

Page 3



ONE TO WATCH! PAINLESS DENT REPAIR TOOL

Page 5



• COMING SOON •

Page 13-16



Promotions valid from
1st Feb – 30th April 2024



Measure from
almost any area
under the car



Vehicle Ride Height Gauge

92666

Measures the ride height either by measuring under the vehicle sills or even under the centre of the vehicle without crawling under the car.

- Measure from 51mm to 350mm.
- Magnetic tape measure head allows measurement to be made while adjusting the ride height.
- Equivalent to OEM Tesla 1071271-00-A.

£199.95

£139.95



Air Palm Random Orbital Sander - 150mm

92685

A compact air palm sander, with a random orbital action, designed for use with 150mm (6") hook and loop sanding discs with dust extraction holes. Also features a rear facing exhaust for use with a dust extraction system.

- Air inlet: 1/4"-19PT.
- Operating pressure: 90psi (6.2 bar), air consumption: 2.5cfm.

Call for latest delivery date

£49.95



Shunting Clamp 280mm

92649

Provides a current path between two panels that have been coated with a non-conductive corrosion resistant coating during the spot welding process (STRSW). By carrying the current through the clamp and around the panels, the corrosion resistant coating does not have to be removed on the inner surfaces of the spot weld, creating a stronger and longer lasting weld.

CV
CHROME
VANADIUM

CM
CHROME
MOLYBDENUM

WHAT'S NEW?



Heavy Duty Toolbag 18"

92680

Ideal for carrying and storing bodyshop tools and hand held equipment, with 10 external pockets & 8 internal pockets, carrying handles and shoulder strap.

£29.95

Safer than
traditional
cutting wire



50m
ROLL

Glass Cut Out Wire - Nylon

92640

Reusable nylon windscreen cutting wire, suitable for cutting through the urethane bond in order to remove the windscreen from the vehicle.

£29.95



Wheel Arch & Body Line Marker Tool

92688

Accurately and quickly trace out wheel arch and body lines directly onto the panel using existing curves and swage lines.

£39.95

TRAINING & SERVICING



Panel Repair Training (Miracle System etc)

Our Panel Repair Training is designed to run alongside the Miracle System – only available from Power-TEC. The training will be on-site, hands-on and will incorporate everything you need to complete panel repairs to the highest possible standard.



Plastic Repair Training (Nitrogen etc)

Our 'second to none' Plastic Repair Training is designed to ensure you get the best out of your equipment. We will train your technicians to be competent and confident when repairing plastic, including bumpers/headlamps etc.



Servicing

We offer individual/group servicing on a one-off, annual or biannual basis. Our servicing is completed on-site by a member of the Power-TEC service team, with the ability to supply spares and/or complete most repairs on-the-day.

Why not combine both?

Did you know you can book servicing and training together?
Get in touch to find out more.

**Contact Power-TEC
direct on 01926 818195**



Promotions valid from
1st Feb – 30th April 2024



PANEL STANDS



Multiflex Bumper Stand

92653

Features four adjustable arms, including two with integral plier grips to support and hold the bumper, allowing to be both rotated front to back and swivelled side to side for access.

- Adjustable bumper stand, with integral plier grips, rotates & swivels through 90° to allow access during preparation & painting.
- Two wheel fold-away design, making it easy to store when not in use.
- High quality steel construction.
- Maximum load capacity: 100kg.

£449.95



Easyflex Universal Panel Stand

92652

This slim-line design features two adjustable arms to support and hold the panel, together with a unique swivel device which allows the panel to be rotated 180° for access.

- Two wheel fold-away design, making it easy to store when not in use.
- High quality steel construction.
- Maximum load capacity: 100kg.

£339.95

Panel Stand Accessories



Press Out Holding Tool

92656

A sprung holding tool and adjustable bracket designed to push out on the internal surfaces of body parts and trim to hold them in position during the painting process.

£59.95



Trim & Spoiler Kit

92654

Additional brackets to support smaller body and trim such as spoilers, mirrors and petrol caps, during preparation and painting.

£54.95



Snapgrip

92655

A fully adjustable additional bracket that feature a integral sprung grip. Designed to hold smaller parts and trim during the painting process.

£44.95

NEW

ONE TO WATCH!

PAINTLESS DENT REPAIR TOOL

92662



92662



+ USE WITH

PDR Reflector Board

92268

Alignment tool for checking the panel has been straightened correctly. The line board is fitted with a suction cup and fully adjustable arm, allowing it to be positioned at any angle.

- Size: 200 x 150mm.

£44.95



This paintless dent repair tool uses magnetic induction heating to remove soft edged dents like hail damage and car park dings on automotive bodywork panels, quickly and easily, without damaging the paintwork. It features adjustable time setting and power controls, which can be easily viewed on the digital display.

- Mains-powered induction heater designed to remove dings & soft dents on steel panels in only 30 seconds.
- Features adjustable time control (1 sec to 5 sec) & adjustable power control (10% to 100%), with an easy to read digital display.
- 230v single phase, 1.8A, 400W output power.
- Power cable length: 1.5m; Repair head cable length: 3m.



NOTE: not for use on aluminium panels.

£599.95

Offers available until **30th April 2024**

Promotions valid from
1st Feb – 30th April 2024



No need for external heat source

£119.⁹⁵

Cold Glue Dent Pulling Kit PDR 92645

An innovative PDR dent puller kit that uses cold glue rather than hot. With only the heat from the user's hands required to prep the glue for use, no external heat source is required. The kit includes a guide handle together with slide hammer for dent pulling.

- Kit includes: 4 alloy glue adaptor pads, slide hammer, hand-pull handle & cold glue.
- Glue is easily removed by hand & can be reused if kept clean and free from grease.



+ USE WITH

Cold Glue 50g For PDR 92646

Used as an alternative to a hot glue system, this sticky adhesive is warmed using hands before use.



Reusable

£24.⁹⁵



PDR Pulling Pad Set 92690

An assorted set of connectable glue puller pads, with pad holders, designed to be used in conjunction with a slide hammer or dent puller and hot glue to remove larger dents and creases in vehicle bodywork. The individual puller pads are designed to be linked together, and feature a pivot which allows them to be angled/curved to follow the contours of the bodywork.

£69.⁹⁵



Multi-Head Telescopic Body Hammer 92674

A lightweight, telescopic dent repair hammer with five interchangeable heads, suitable for gently knocking down high spots and removing small dents and dings on body panels. The length of the hammer is easily adjustable, and can be locked into position.

- Features: 1x hard plastic (POM) hammer head and 4x stainless steel hammer heads.

£69.⁹⁵



PDR Tap Down Kit 92689

A pair of aluminium punch type tap down tools, supplied with an assortment of interchangeable heads. Suitable for gently knocking down high spots and removing small dents and dings on body panels.

Kit contains:

- 16x hard plastic (POM) heads
- 4x thermoplastic (PEI) heads
- 7x carbon steel heads
- 4x stainless steel heads
- 3x reversible stainless steel heads.
- 6x thread adaptors

£64.⁹⁵

£99.⁹⁵

- CHARGING TIME:**
2 hours (approx).
- RUN TIME:**
60 minutes (approx.) with automatic shutdown after 10 minutes non-use.
- Reaches working temperature in just 3 mins.

Cordless Glue Gun 18V 100W 92663

A rechargeable cordless hot glue gun ideal for use as part of a PDR repair, to remove dents in vehicle bodywork without causing damage when used with glue pads and a dent puller. Also suitable for use on plastic, metal, wood, paper and glass.

INCLUDES

- + Rechargeable Li-ion battery (2000mAh)
- + 240V mains charger
- + General purpose glue sticks

PAINTLESS DENT REMOVAL



PDR Percussion Auto Body Panel Shaper Kit

92644

A rechargeable PDR percussion gun with eight interchangeable heads to gently tap down high spots in vehicle body panels as part of a paintless dent repair. It features a powerful high-torque motor which uses noise reduction technology, and has 4 different speed settings to deliver between 1800 and 3200 percussions per minute.

- Includes 4x hard plastic & 4x alloy adaptor heads to knock down high spots without damaging paint.



92644

£99.95



NEW

£149.95



Dent Puller Kit 34pc

92676

Designed to enable small dents and dings in vehicle bodywork to be reduced without causing damage to the paintwork. The kit includes two pairs of adjustable feet allowing for 30° of movement, with the longer of them featuring three mounting points enabling the puller to be stabilized in a greater number of positions.

- Kit includes: 28 assorted glue pads, 2 sets of adjustable feet and hole straightener.



Also great for
PDR repair!



PDR Wheel Arch Lever Support & Pivot

92677

Heavy duty PDR bar tyre support with adjustable eyelet, designed to both act as a pivot point for the bar when reducing a dent on the wheel arch and to prevent the tyre being deformed or damaged.



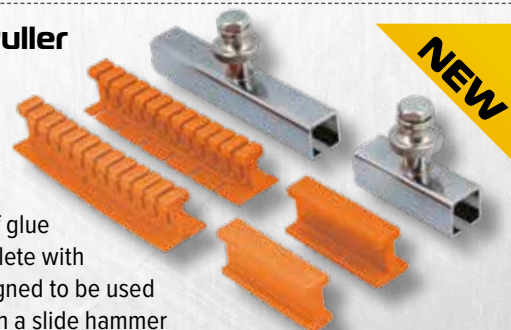
NEW

£29.95

Assorted Puller Pad Kit

92678

An assorted set of glue puller pads, complete with pad holders, designed to be used in conjunction with a slide hammer or dent puller and hot glue to remove dents and dings in vehicle bodywork as part of a PDR glue repair.



NEW

£11.95



NEW

**PUSH/PULL
FORCE
UP TO
5 TONNES**



Photographed using both kits:
Power-TEC 92691 & 92692.



Introducing our **NEW ELECTRO POWER SYSTEM**

IDEAL FOR ALIGNING VEHICLE APERTURE FRAMES & BODY PANELS



Electro Power Push Pull System

92691

Electro powered power pulling and pushing system for fast and accurate repairs. The Electro power battery system can deliver up to 5 tonnes of force in both directions. The lack of external cabling or hydraulic pumps and pipes makes this system ideal for use in restricted spaces.

- Kit includes: Battery powered ram, 1x Li-ion 14.4V 2.0Ah battery, battery charger, extension tubes & bars, assorted push pull attachments including a chain lock attachment.

£1199.⁹⁵



+ USE WITH

Electro Power Accessory Kit

92692

A 45pc accessory kit, designed for use with Power-Tec 92691 Electro Power 5 Tonne Push Pull System.

- Kit includes: rubber feet, support brackets, supports, clamps, extensions and securing pins.

£899.⁹⁵

PLASTIC REPAIR

Scraper for Cleaning Plastic Parts

92668

£64.95



£149.95

92661 Airless Plastic Welder

A mains powered airless plastic welder suitable for use on thermoset plastics such as polyurethane (PUR). Ideal for repairing vehicle bumpers etc, when used together with PUR plastic welding rods.

- Supplied with 2 welding tips & safety stand for use when hot.
- Temperature range: 350°C (662°F) to 400°C (752°F).



Compression Roller

92667

A handheld metal roller designed for smoothing the melted plastic during the plastic welding/repair process. Ideal for use with nitrogen or compressed air plastic.

£39.95

Hot Stapler Kit - Rechargeable

92478

Rechargeable cordless hot stapler kit, complete with staples. Ideal for use on bumpers and headlamp housings etc.

Built in LED light for dark areas

- Supplied with 50 x 0.6mm diameter staples in each shape: U shape, W shape & V shape. Also handles 0.8mm staples.
- Charge time 3 - 4 hours.
- Supplied with UK & Euro plugs.



£27.95



£99.95

Black Polypropylene Strips

A variety of black plastic rods and strips for use in plastic repair. They can be used on a wide range of repairs, including fixing bumpers, headlamp housings, inner wing liners, splash shields etc.

NEW EXTRA THIN STRIPS AVAILABLE

PUR Rod Natural for Plastic Repair - 9m Spool

91841

Suitable for use with the Power-TEC Airless Plastic Welder, ideal for repairing problem thermoset plastics like PUR with ease.

- Size: 3mm x 9m spool.

Part No.	Description	Size	Qty	Price
91796	PP Flat Black Strips	18 x 1.5 x 300mm	15	£32.95
91817	PP Black Rods	3 x 300mm	30	£22.95
92072	PP Flat Black Strips	11 x 1.5 x 300mm	15	£22.95
NEW 92650	Extra Thin PP Flat Black Strips	11 x 1.0 x 300mm	20	£14.95



Offers available until 30th April 2024

Efficient dent pulling

Promotions valid from
1st Feb – 30th April 2024



**PULLING
FORCE
UP TO
550KG**



USE WITH

Adjustable
hoist with
15 height
positions



Vertical Pull Kit for Pulling Tower

92660

An additional suction pad, allowing the tower to be used in a vertical position for pulling down on damaged floor pans or sills.

- Features a vulcanised rubber pad and is held onto the ground using the workshop air supply.
- Plate dimensions: 280 x 330mm.

£329.⁹⁵

Pole Extension for Pulling Tower

92659

A steel extension pole, which adds an additional 700mm with 7 adjustable height positions and allows the tower to be used on truck and van roof panel repairs.

£219.⁹⁵



Pulling Tower

92657

A fast, easy to install pulling tower with a height adjustable mechanical hoist. Ideal for use on steel and aluminium panel repair. It is counterbalanced by an anchoring plate, which features a vulcanised rubber pad and is held onto the ground using the workshop air supply, allowing it to be used anywhere on the workshop floor, without the need to drill in any anchor points or fixings.

- Dimensions: 350 x 350 x 1650mm. Weight: 20kg.
- Supplied with hook gripping head, eyebolts & hooks.



92657

£1099.⁹⁵

anywhere in the workshop!



PULLING TOWER KIT 92664



KIT INCLUDES



This comprehensive kit provides all the key equipment you need to successfully complete a dent removal using Power-TEC's innovative Pulling Tower!

This kit comprises of the Pulling Tower, Part No. 92657, together with;

- Hot melt glue gun
- Rainbow glue pads
- Glue sticks
- Glue removal spray



ALL THIS FOR

£1249.⁹⁵



Offers available until 30th April 2024

Promotions valid from
1st Feb – 30th April 2024



PAINT & DUST

Hold's cans
up to 5ltr

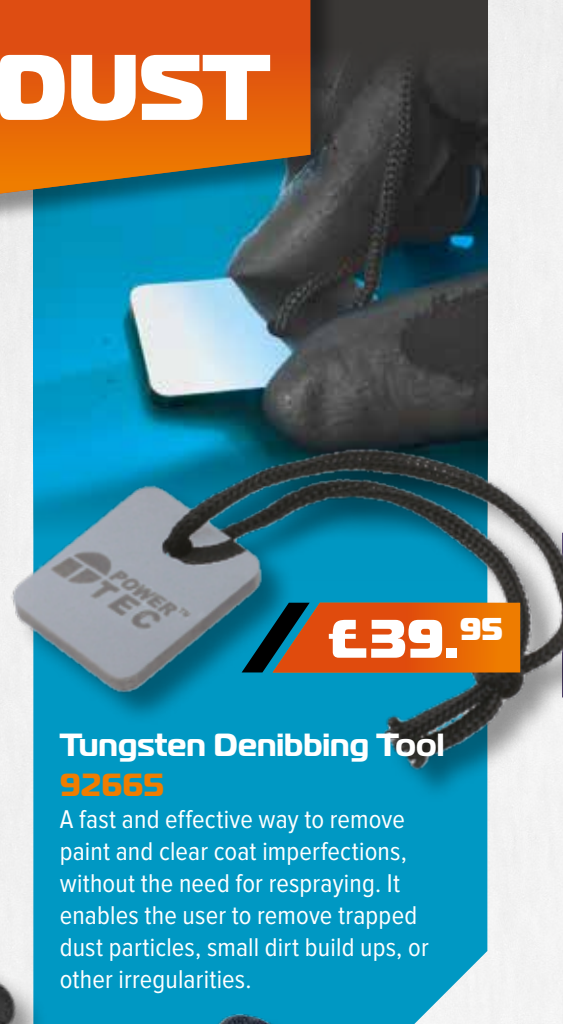


Paint Mixer, Pneumatic 92305

An easy way to mix standard paint cans by using pneumatic air compressor. Simply load the can, attach air and switch on.

- Shakes: 700 cycles per minute.
- Maximum jaw opening: 280mm.
- Can be used with a small compressor (operating pressure 6.2 bar / 90psi).

£199.⁹⁵



Tungsten Denibbing Tool 92665

A fast and effective way to remove paint and clear coat imperfections, without the need for respraying. It enables the user to remove trapped dust particles, small dirt build ups, or other irregularities.

£39.⁹⁵

+ USE WITH

Paint Stirrers

For mixing paint, plaster or other coatings.

Part No.	Qty	Price
92504	1	£1.59
91166	5	£6.99



Comfort Fit Cartridge Respirator – Bodyshop Kit

92669

Complete half-mask respirator kit, with soft silicone easy adjustable half-mask, and two A2P3D grade cartridge filter suitable for paints, varnishes, solvents, thinners, preservatives, pesticides, spray paints, dust and solid particles.

- Features a unique exhaust valve to minimise moisture & heat within the mask.
- Supplied complete with 2x A2P3D grade cartridge filters, Power-TEC Part No. 92670.
- Conforms to EN140, EN143, EN14387+A1 standards.

£49.⁹⁵



+ USE WITH

Respirator Filters

Packs of respirator mask filters, each with a specific use. Ideal for use with Power-TEC Comfort Fit Cartridge Respirator.

- Easy change screw thread. Always replace filters in pairs.
- High capacity, with extremely low breathing resistance.
- Conforms to EN143 and EN14387+A1 standards.



Part No.	Description	For use on	Qty	Price
92670	A2P3D grade organic vapour + particle & smoke combined filters	Paint & dust	4	£24.95
92671	A2 grade organic vapour filters	Paints, solvents, thinners etc	8	£54.95
92672	P3 grade particle & smoke filters	Dusts, solid & liquid particles, viruses, spores, asbestos, fibres etc	10	£61.95

+ USE WITH



Mig Ready Box 92090

An assorted box of spares and consumables designed specifically for use with the Power-TEC MIG Welder, Part No. 92708.

Kit contains:

- Replacement conical MIG shrouds, contact tips, shroud springs, feed wheels and a gas nozzle.



Replacement Conical MIG Shroud 92089

The following pages contain some exciting and innovative new products due into stock in Q1 of 2024!

COMING SOON



MIG Welder - 170A 92708

A multi-process welder with inverter function for MIG-MAG, flux, MMA, TIG and brazing-welding. It can be used with welding wire from 0.6mm - 1.2mm in thickness, with a maximum spool size of 200mm diameter (5kg). Suitable for welding a range of materials, including; steel, stainless steel, aluminium, zinc-coated/galvanised sheet metal. It is designed for use with a 230V

single phase power supply, fitted with a 3 pin BS plug, features an integral carry handle for portability, and comes supplied with a MIG-MAG welding torch, earth clamp and cable.

- Welds steel, stainless steel, aluminium & galvanised sheet metal.
- Size: 460 x 240 x 360mm. Weight: 11kg.
- Current range: 20 - 170A.
- Welding wire diameter: 0.6 - 1.2mm.
- Spool size diameter: 100 & 200mm (Maximum weight: 5kg).
- Features: Thermostatic, overvoltage, undervoltage, overcurrent protection; compatible for use with a motor generator ($\pm 15\%$); arc-force adjustment in MMA.
- Polarity change for gas MIG-MAG/braze welding.



Offers available until **30th April 2024**



Panel Repair Welder - Steel

92091

A compact panel repair welder supplied with slide hammer and copper coated pull triangles. Connect the slide hammer to the welder (which is used to hold and weld the copper coated pull triangles to the panel) the slide hammer is then used to pull out

the damage. It is designed for use with a 230V single phase power supply, comes fitted with a 3 pin BS plug.

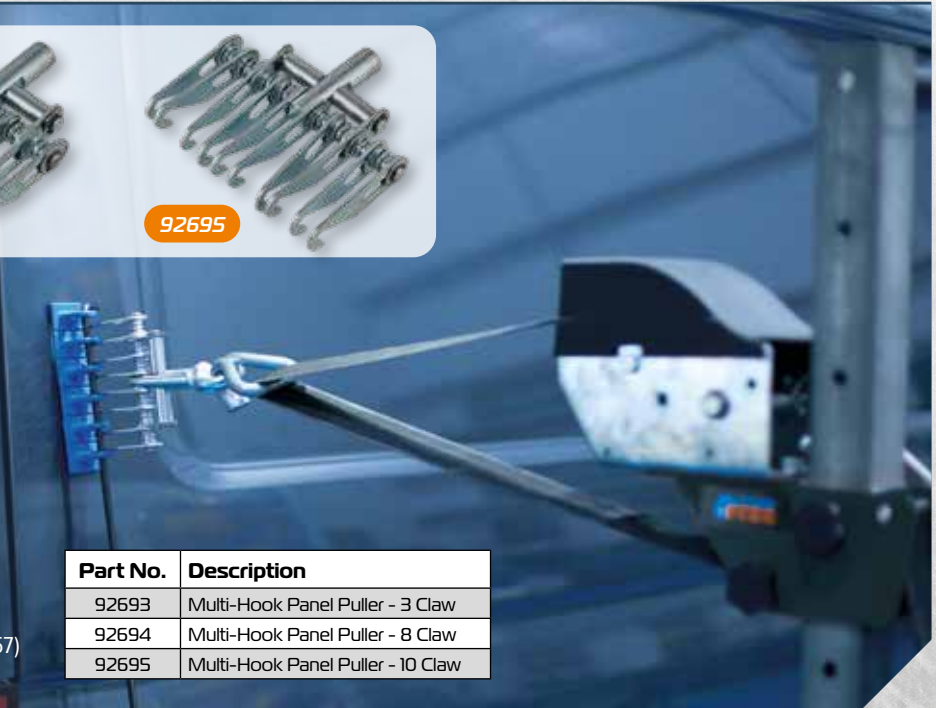
- Supplied with: Manual, pistol/gun with trigger, spot earth with cable, slide hammer and consumable triangular copper coated electrodes.
- Size: 390 x 260 x 225mm. Weight: 16kg.
- Peak spot-welding current: 2600A. Max absorbed power: 7kw.



Multi-Hook Panel Pullers

A multi-hook panel puller, suitable for use with slide hammers and other dent pulling equipment. Perfect for hooking onto squiggly wire, or hot glue multipads, to pull out dents in vehicle bodywork.

- Thread size: M14 x 1.5.
- Suitable for use with Pulling Tower (Part No. 92657) & slide hammers (including Part No. 91244).



Part No.	Description
92693	Multi-Hook Panel Puller - 3 Claw
92694	Multi-Hook Panel Puller - 8 Claw
92695	Multi-Hook Panel Puller - 10 Claw



Electric Random Orbital Sander - 150mm

92696

A compact mains powered electric sander, with a random orbital action, designed for use with 150mm (6") hook and loop sanding discs. The 9-stage variable speed motor ranges from 2,000 to 10,000 RPM.



Dust Extractor 38L

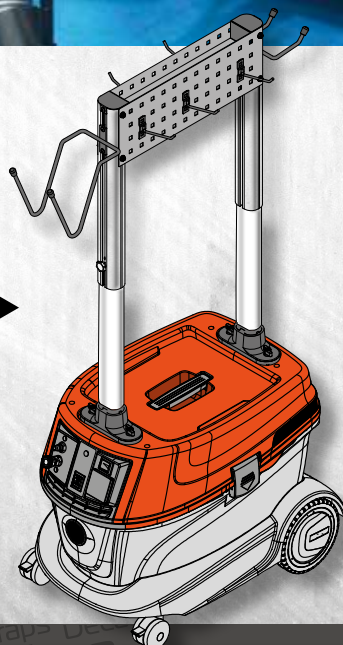
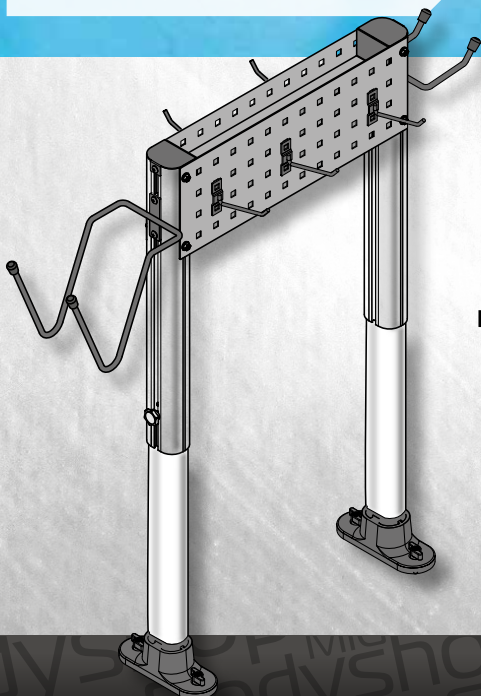
92697

A portable industrial dry vacuum cleaner designed for use as a dust extractor when working with pneumatic and/or electric sanding tools etc. It features a 38L waste drum, a workshop air inlet and 2-in-1 hose for use with air powered tools, together with a 1000W output for use with power tools.

- Ideal for use with sanding, drilling & cutting tools fitted with a dust extraction hose connector/exhaust.
- Size: 790 x 545 x 560mm. Weight: 16.66kg.
- Drum capacity: 38L.
Power: 220-240V, 1150-1350W.
Max Vacuum: 2450mm H2O ±10%.
Air Flow: 2.9m³/min ±10%.



Various spare parts available separately.



Multi-Purpose Tool & Accessories Rack - for 92697

92698

A tool and accessories rack, specifically designed for use with the Power-TEC portable dust extractor (Part No. 92697) and suitable for supporting hoses, power cords and tools etc.

- Fitted with hose & power cord hooks, with additional hooks for use with sanding tools & consumables.

USE AS A
**DUAL
STATION**



Suitable for use with Power-TEC
Air Palm Random Orbital Sander (92685)
& Electric Random Orbital Sander (92696).

Dust Extraction Station 92701

A workshop dust extraction station, based around a 1200W 55L wet and dry dust extractor, suitable for use when working with pneumatic and/or electric sanding tools fitted with a dust extraction hose connector/exhaust. The station features a built-in air control regulator with fluid level monitoring, a pair of air outlets together with a pair of 1000W 3 pin BS electrical sockets.

The station also features shelves and hooks for stowing hoses, power cords, tools and consumables.

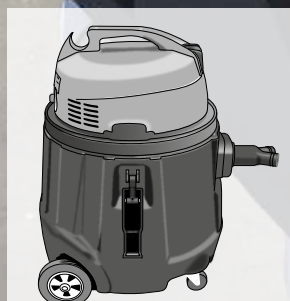
- Featuring 2x air & mains power outlets, suitable for both wet & dry extraction, with fluid level monitoring.
- Overall size: 680 x 630 x 1375mm.
- Water tank capacity: 55L.
Power supply: 220V, fitted with a 3 pin BS plug.
Power consumption: 1200W ±10%.
Negative pressure: 2274mm H2O.
Max volume flow rate (CFM): 2.2m³/min.

INCLUDES

- + 6m 2-in-1 hose
- + Y-type hose adaptor
- + Dust bag
- + Filter cartridge



An additional 6m 2-in-1 hose is available separately, please see Part No. 92700.



Dust extractor stored behind.
Size: 460 x 450 x 620mm

Sanding pads NOT included.
(Shown for demonstration purposes only).



Offers valid from 1st February to 30th April 2024 while stocks last.
Offers available through your local supplier of The Tool Connection Ltd branded products.

All prices correct at the time of going to press and exclude VAT. The Tool Connection Ltd reserve the right to change prices or take products off of promotion without prior notice.



The Tool Connection Ltd.
Kineton Road, Southam, Warwickshire, CV47 0DR
01926 815000 • www.toolconnection.co.uk

